

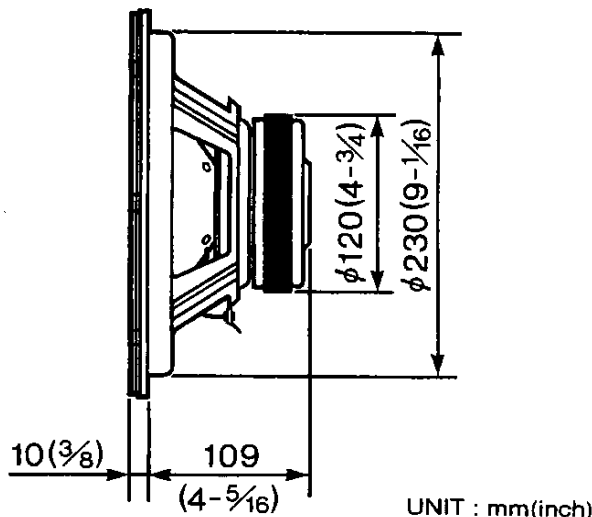
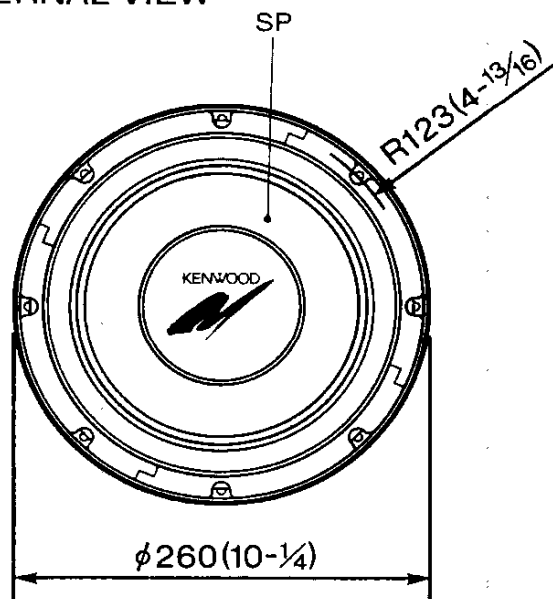
KFC-W2500

SERVICE MANUAL

KENWOOD

© 1993-10 PRINTED IN JAPAN
B51-6659-00(B) 1722

EXTERNAL VIEW



PARTS LIST

*** New Parts**

Parts without Parts No. are not supplied.
Les articles non mentionnés dans le Parts No. ne sont pas fournis.
Teile ohne Parts No. werden nicht geliefert.

Ref No.	New Parts	Parts No.	Description
①	*	N99-1271-08	SCREW SET
②	*	G13-1095-08	SPACER
SP	*	T10-0617-08	SPEAKER

PARTS INCLUDED

- ① φ4 × 25 (3/16 × 1) × 8
- ② × 1

SPECIFICATIONS

Speaker _____ 250 mm (10 in) Injection P.P. Cone Type
740g (26.1 oz) Magnet

Peak Power _____ 360 Watts

Sensitivity _____ 91 dB/W at 1m

Frequency Response _____ 18 Hz ~ 3,500 Hz

Impedance _____ 4 Ohms

Net Weight _____ 2.6 kg (5.6 lb) / Pc.

KENWOOD follows a policy of continuous advancements in development.
For this reason specification may be

KENWOOD CORPORATION

Alive Mitake, 2-5, 1-chome Shibuya, Shibuya-ku, Tokyo 150, Japan

KENWOOD SERVICE CORPORATION
PO BOX 22745, 2201 East Dominguez St., Long Beach, CA 90801-5745, U.S.A.

KENWOOD ELECTRONICS CANADA INC.
6070 Kestrel Road, Mississauga, Ontario, Canada L5T 1S8

KENWOOD ELECTRONICS LATIN AMERICA S.A.
P.O. BOX 55-2791, Piso 6 Plaza Chase, Cl. 47 y Aquilino de la Guardia Panama, Republic de Panama

TRIO-KENWOOD U.K. LIMITED
Kenwood House, Dwight Road, Watford, Herts, WD1 8EB, United Kingdom

KENWOOD ELECTRONICS BENELUX N.V.
Mechelsesteenweg 41B B-1930 Zaventem, Belgium

KENWOOD ELECTRONICS DEUTSCHLAND GMBH
Rembrucker Str. 15, 63150 Heusenstamm, Germany

TRIO-KENWOOD FRANCE S.A.
13 Boulevard Ney, 75018 Paris, France

KENWOOD ELECTRONICS ITALIA S.p.A.
Via G. Sinori, 7/9 20129 Milano, Italy

KENWOOD ESPANA S.A.
Bolvira, 239-08020 Barcelona, Spain

KENWOOD ELECTRONICS AUSTRALIA PTY. LTD. (A.C.N. 001 499 074)
PO BOX 504, 8 Figtree Drive, Australia Centre Homebush, N.S.W. 2140, Australia

KENWOOD & LEE ELECTRONICS, LTD.
Unit 3712-3724, Level 37 Tower 1, Metroplaza, 223 Hing Fong Road, Kwai Fong N.T. Hong Kong

KENWOOD ELECTRONICS SINGAPORE PTE LTD
No. 1 Genting Lane #07-00 Singapore, 1334